



# mrQ

---

## supine

A revolution  
of Nd:YAG  
treatment

your laser specialist

meridian   
medical





## SUPERIOR QUALITY & LONGEVITY

Meridian MR Q supine is a fully integrated YAG laser combined with a renowned precision optics LED slit lamp with a magnification range from 6 × up to 40 × selectable in 5 fixed steps.

The housing of the laser head is made of a high grade aluminium mono bloc giving the unique solid feeling of Meridian products while moving the laser head.

## USABILITY

**The MR Q supine convinces by its fast start-up time and its easy to use touch display.**

You can choose between anterior and posterior offset on one screen. This ensures a fast and smooth workflow.

An ergonomic 0 – 210° inclinable Haag-Streit binocular allows comfortable operation position.

The result is superb view, allowing accurate and safe treatment with stunning visible results.



# mrQ supine



## SAFETY

The MR Q supine is protected against unauthorized persons by a 4-digit PIN code. As soon as the laser is in operation mode, the table wheels lock to ensure a safe position.

We test our units after each assembly for stability and electrical safety in our own laboratories.

The aiming beam consists of a red two-point focusing system. Energy and off-set reset after each use.



## FLEXIBILITY & COMFORT

The supine position is by far much more relaxing for the patient, especially during lengthy procedures.

It offers the surgeon a perfect ergonomic position and makes it easier to handle contact lenses and eye drops. Above all, it allows the treatment of children, elderly, disabled and anaesthetized patients.

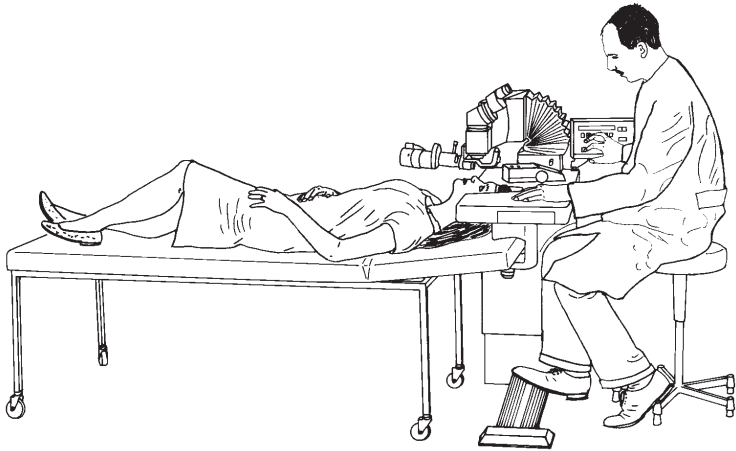
Very nervous patients feel more relaxed in the supine position and can be calmed down more easily by the medical staff.

## OPTIMIZE YOUR WORKFLOW

The patient can already be prepared before the treatment and has to be placed under the laser. The time-consuming positioning of the head on the chin rest and adjusting the correct height is no longer necessary.

The time-consuming cleaning of the chin rest after each treatment is no longer necessary since the patient does not come into contact with the laser treatment system. This allows clinics with a high volume of patients to work more efficiently.





## LASER EXCELLENCE

The history of Meridian AG, now showing up as Meridian Medical Group, and the history of the medical Nd:YAG laser are closely connected. Meridian AG was already significantly involved in the development of the “Microruptor II” in 1982 and was able to launch the first commercial Nd:YAG laser for ophthalmology on the market together with Prof. Dr. Franz Fankhauser († 2020).

Microruptor III was the successor of Microruptor II and was the first Nd:YAG supine laser.



# mrQ

supine



## STANDARD ACCESSORIES


- Laser safety sign
- Safety goggles
- Dust cover

## OPTIONAL ACCESSORIES

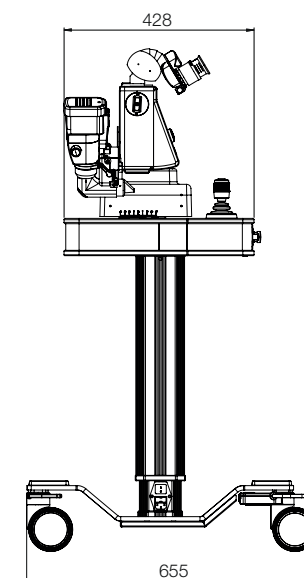
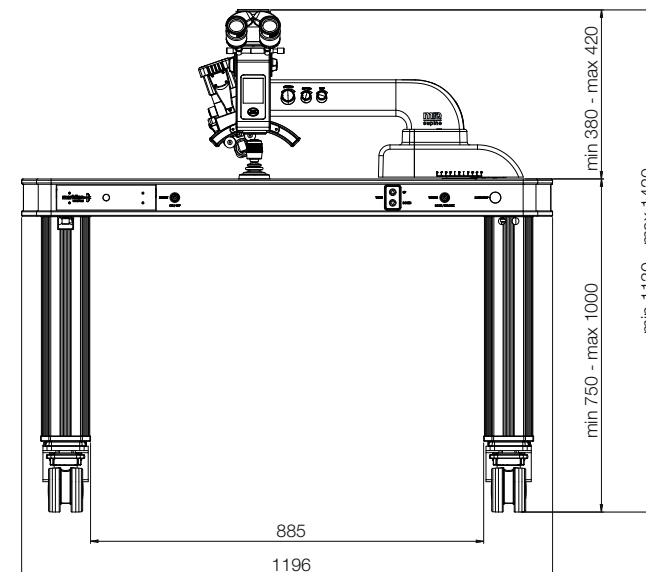
- Foot-switch
- Dual plug beam splitter
- Observation tube
- Adapter for 1/2" digital camera
- Observation tube



## TECHNICAL SPECIFICATIONS\*

Device description	MR Q Supine   
Laser source	Q-switched Nd:YAG
Wavelength	1064 nm
Energy range	0.3 – 12 mJ (in single pulse mode), 32 mJ max (in triple pulse model)
Pulse duration	4 ns (typical)
Treatment spot size	< 10 µm
Burst mode	1,2 or 3 pulses; selectable
Cone angle	16°
Treatment beam offset range	Anterior and posterior: 0 to ± 300 µm
Slit lamp	CS0 9800 LED Zeiss type
Laser repetition rate	0.5 – 2 Hz
Aiming beam	Red Dual Diode: 635 nm
Triggering	Joystick (footswitch optional)
Magnification	(6x; 10x; 16x; 25x; 40x)
Cooling system	Air convection
Dimensions HxWxD	118 cm × 119.6 cm × 70.6 cm 47 in × 47 in × 28 in
Weight	65 kg / 1431bs.
Power requirements	220 – 240 VAC 50/60 Hz
Power rating	520 VA
Patient position	supine

\* All technical specifications are subject to change without notice. In accordance with the international laser safety standards: IEC 60601-1:2005 + A1:2012, EN 60601-1-2:2015, MDD 93/42/EEC.





## Head office

---

### Meridan Medical Group

Tel.: +41 33 334 11 11  
Fax: +41 33 334 11 19  
info@meridian.ch  
www.meridian.ch

## Switzerland

---

### Meridian AG

Bierigutstrasse 7  
CH-3608 Thun

## Slovenia

---

### Meridian Medical d.o.o

Plemljeva 8  
1210 Ljubljana

## Finland

---

### Meridian Medical Oy

Elannotie 5  
01510 Vantaa